

Thermal Store for Multi Fuel Systems

With DHW Plate Heat Exchanger, Direct Boiler Assembly, Gravity Wood Burner, Solar Coil, Buffer Stat, Economy Stat, Overheat Stat and Programmer for Summer & Winter Mode.

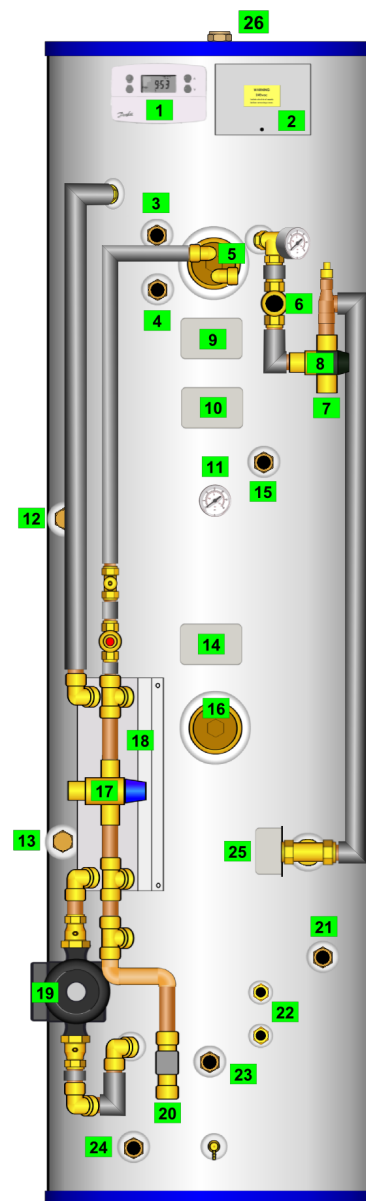
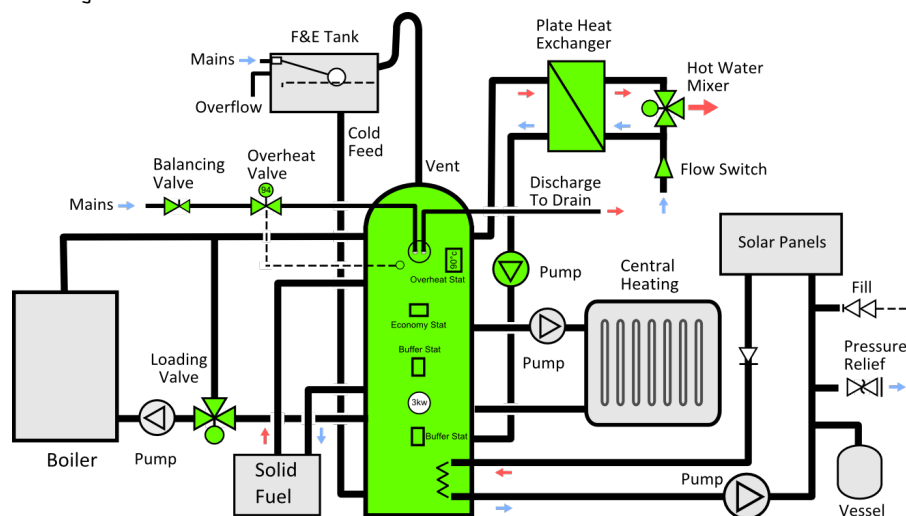
Inputs: Gravity Wood Burner, Open Vented Boiler, Solar and Backup Electric.

Outputs: DHW (via Heat Exchanger) and Central Heating

- Stainless Steel Thermal Store
- 130 to 500 litre Capacities with Slimline options
- Connections for Direct Boiler Input up to 30kw
- Connections for Central Heating circuit
- DHW generated using a Plate Heat Exchanger up to 35l/Min
- DHW Thermostatic Mixing
- Immersion Heater Boss
- Powerfree Overheat Discharge Coil and Valve 95°C
- Solar Coil

This system is designed to work in conjunction with an open vented boiler, gravity wood burner and solar thermal. The system includes a plate heat exchanger assembly to generate mains pressure hot water, fitted with thermostatic mixing valve to control tap temperatures.

It is assumed that the system will be open vented due to the inclusion of a wood burning stove.



Key to Parts:

- Two Channel Programmer for Winter/Summer Mode
- Wiring Centre
- Solar Sensor Pocket
- Overheat Discharge Sensor Pocket
- Overheat Coil Discharge
- Flow from Boiler
- Return to Boiler
- Loading Valve
- Overheat Thermostat
- Economy Thermostat
- Temperature Gauge
- Gravity Wood Burner Connection (Flow)
- Gravity Wood Burner Connection (Return)
- Buffer Boiler Thermostat
- Flow to Central Heating
- Immersion Heater Boss, 2.1/4" Female
- DHW Flow Thermostatic Mixing Valve
- DHW Plate Heat Exchanger
- DHW Pump (A Rated)
- Cold Mains Input / Flow Switch
- Return from Central Heating
- Solar Coil
- Solar Sensor Pocket
- Cold Feed
- Boiler Thermostat
- Vent

Part Code	Capacity	Cylinder Diameter	Casing Diameter	Height
DS-165-6	165 litres	450mm	535mm	1200mm
DS-220-6	220 litres	450mm	535mm	1500mm
DS-247-6	247 litres	450mm	535mm	1800mm
DS-300-6	300 litres	500mm	560mm	1800mm
DS-390-6	390 litres	600mm	660mm	1500mm
DS-500-6	500 litres	600mm	660mm	1835mm
X2009-16j	3kW Immersion Heater			
X2009-11A	Standard Pump for Towel Rail or Radiator Circuit			
X2009-11B	Standard Pump for Boiler Circuit			
UFH	Flow and Return Tappings for Underfloor Heating Circuit			

INCLUDED AS STANDARD

** Please advise us if your boiler is larger than 30kw*