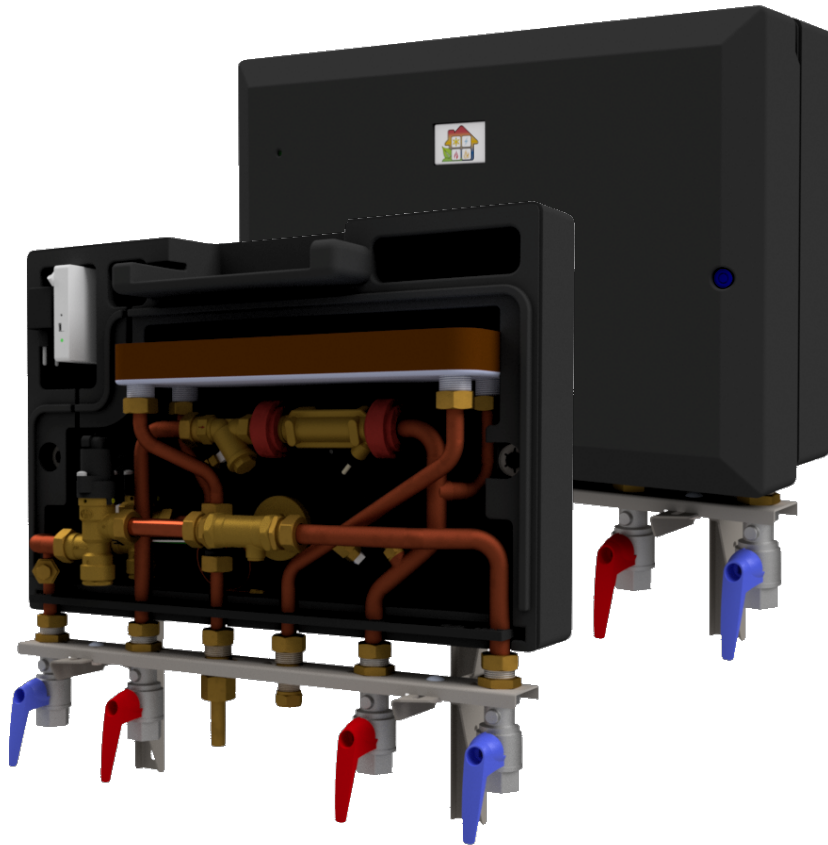


The DIGI - Heat Interface Unit



The DIGI HIU is suitable for wall hanging in a home or apartment and is designed to provide up to 68kW hot water output using a single plate heat exchanger. The central heating system is connected directly to the district heating main therefore expansion of the heating circuit will be provided for in the district plant room. The unit does not require sealed central heating system components or discharge pipework.

Within the casing are all the components required for a typical property connected to a district network, including a differential pressure control valve, sensors and controls for primary flow.

The unit can be connected to a radiator heating system and there is an optional kit to allow connection to an underfloor heating system.

DHW temperatures and various other parameters are set-up during commissioning and can only be altered by an approved engineer.

The DIGI is encased in an attractive EPP moulded compartmentalised casing. Heat losses are less than 10W, allowing the unit to remain hot for rapid DHW response with minimal drain on the primary supply.

The DIGI makes use of the latest electronic stepper motor control valves that allow the unit to accurately adjust district flow rates to control DHW temperatures far better than any mechanical system.

The electronic controls also enable the unit to carry out various intelligent functions, such as PC connectivity for set-up and commissioning, district return temperature control, Eco / Comfort DHW modes for continuous or intelligent pre-heat, whilst maintaining minimal return temperatures.

Possibly the best feature of the DIGI is the ability to connect to billing systems and the internet to enable a host of functions never before envisaged.*

These functions include the ability to provide remote fault diagnostics, reporting, and remote commissioning.

* Connection to billing systems, and remote diagnostic functions require the optional iHIU electronics package.

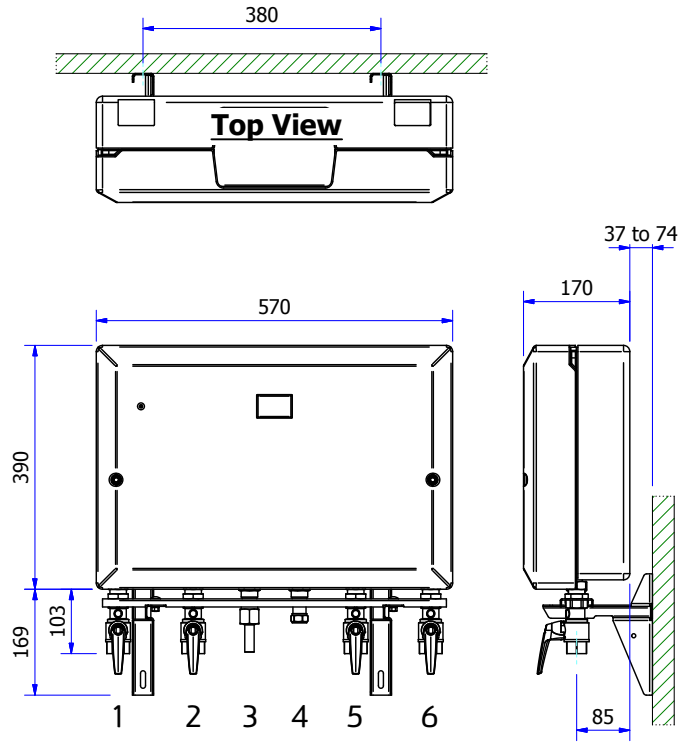
Features

- Fully electronic solution with anti-legionella cycle & PC connectivity for set-up and commissioning
- District return temperature control
- Pre-plumbing jig supplied as standard
- Calibrated sensors for fast DHW temperature control
- Eco / Comfort DHW modes for continuous or intelligent pre-heat
- Anti-fraud sealing kit for heat meter and casing
- Compact design - 570mm (W) x 390mm (H) x 170mm (D)
- Fully insulated compartmentalised casing
- Ability to connect and communicate with billing systems
- iHIU Intelligent control options
- Optional Pump and underfloor heating kits
- 24V DC Version Available

Example Heating Capacity				
Model	Heating ΔT	Capacity (kW)	Required differential pressure primary (kPa)	Primary flow rate (kg/sec)
DIGI	30	8.75	1	0.0694
		17.5	4	0.1389
		28	10.25	0.2222
		39.1	20	0.3105
	20	5.8	1	0.0694
		11.65	4	0.1389
		18.65	10.25	0.2222
		26	20	0.3105
	11	3.2	1	0.0694
		6.5	4	0.1389
	10.25	10.25	0.2222	
	14.35	20	0.3105	

Connections
 1 = Primary Return
 2 = Primary Flow
 3 = Domestic Cold Water
 4 = Domestic Hot Water
 5 = HTG Flow
 6 = HTG Return

Dimensions and Connections



Example DHW Capacity at 10-55°C (All examples, heat meter not included)						
Model	Capacity (kW)	DHW flow rate (l/m)	Primary Flow °C	Primary Return °C	Required differential pressure primary (kPa)	Primary flow rate (kg/sec)
DIGI	12.5	4	70	15.02	1	0.055
	31	10	70	21.5	16.6	0.157
	56	18	70	27.8	58.5	0.325
	65	21	70	29.8	91.5	0.392
	12.5	4	80	12.4	1.9	0.046
	31	10	80	16.9	11.8	0.124
	62.5	20	80	23.2	47.3	0.273
	81	26	80	26.4	80	0.373

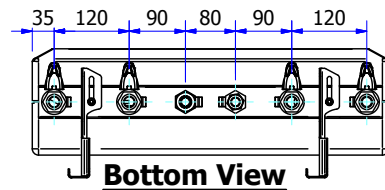
Technical parameters:

Nominal pressure: PN 10
 DH supply temperature: T max = 85 °C
 DCW static pressure: P min = 0.5 bar

Pipework: Copper

Heat meter: 110 x 3/4" – DH Flow
 DP Valve: 110 x 3/4" – HTG Return
 Electrical Supply: 230V AC (24V DC + Transformer)

Connection sizes
 1,2,5 & 6 = G3/4" (Internal Thread)
 3 & 4 = 15mm Compression



Options

- Casing and heat meter security fittings
- Variety of heat meters
- Heating pump kit
- Underfloor blending valve and pump kit
- Landlord security valve kit (For external mounting)

